

# Infrared Thermometer

## Features:

- Auto DATA HOLD function after releasing MEASURE button
- Auto power off function
- Fixed emissivity ( $\epsilon$ ) 0.95 for most substances
- Portability and simplicity one-hand operation
- Low battery indication

**Model: 121**

## Temperature:

Sensor: Thermopile (6-14 $\mu$ m)

Range: -20°C to 220°C

Resolution: 0.1°C/1°C

Response Time: 0.5 second

Accuracy:  $\pm 0.5^\circ\text{C}$  in 15°C to 45°C

$\pm 2^\circ\text{C}$  in 45°C to 100°C


$\pm 3^\circ\text{C}$  or  $\pm 3\%$  in rest of range

Fixed emissivity ( $\epsilon$ ): 0.95

Field of view: 1 @  $\varnothing 1.1\text{cm}$

## Specifications:

Display: 3½ digit liquid crystal display (LCD) with a maximum reading of 1999.

Low battery indication: The "  " is displayed when the battery voltage drops below the operating level.

Battery: CR2032 x 1.

Battery life: about 36 hours.

Operating environment: 10°C to 40°C at <70% R.H.

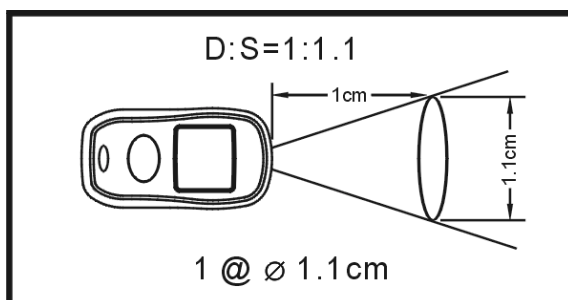
Storage environment: -20°C to 60°C, 0 to 80% R.H. with battery removed from meter.

Temperature Coefficient: 0.1 time the application per °C from 0°C to 18°C and 28°C to 50°C.

Auto power off: 6 seconds.

Dimensions: 73.5mm(H) x 39mm(W) x 18mm(D).

Weight: Approx. 39g. (including battery)



**CHY FIREMATE CO., LTD.**  
NO.3 SHENG-LI 1ST STREET, HSIN-TIEN VILLAGE,  
JEN-TE HSIANG, TAINAN HSIEN, TAIWAN R.O.C.

Tel: 886-6-2794811

Fax: 886-6-2700227

E-Mail: chy@ksts.seed.net.tw